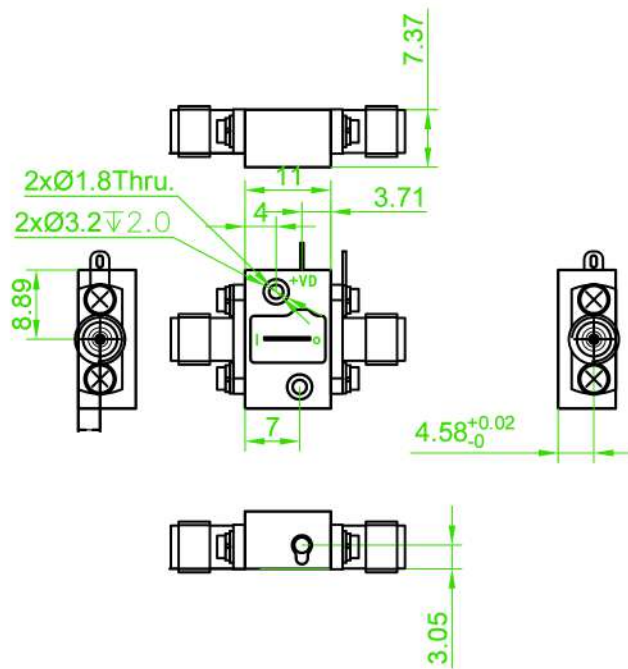


Revisions

Rev	Description	Date	Approved	ECO #



all dimensions in mm

SuperApex, LLC

Address: 1580 South Milwaukee Avenue, Suite 405, Libertyville, IL 60048, USA
 Tel: 1-847-573-9866, 1-847-505-8319
 E-mail: sales@superapexco.com
 Website: www.superapexco.com

Package	Coaxial		
Frequency Min.	2GHz		
Frequency Max	18GHz		
Gain Min.	10dB		
Gain Max.	15dB		
Gain Flatness	+/-1.5dB		
Input VSWR	1.8:1	2.0:1 max.	
Output VSWR	1.8:1	2.0:1 max.	
Noise figure	4.5dB max.		
Output P-dB	10dBm min.		
Temperature Range	-40~+85 °C		
Supply Voltage(+VDD)	+12~+15v		
Supply Current	60mA		
Connector In	SMA(F)		
Connector Out	SMA(F)		

Drawn	Date	UNLESS OTHERWISE SPECIFIED: DIMENSIONS ARE IN MILLIMETERS.			Title
Engineering	Date	TOLERANCES ON DECIMALS	ON ANGLES		
Q.A.	Date		± .5°		
Manufacturing	Date	Material	Scale	Drawing No.	Revision
Released	Date	Alumina			
		Finish			Drawing Size
					2-18GHz Wide-band Low Noise Amplifier Module
					SAC1281-R0
					Used On
					Qty.